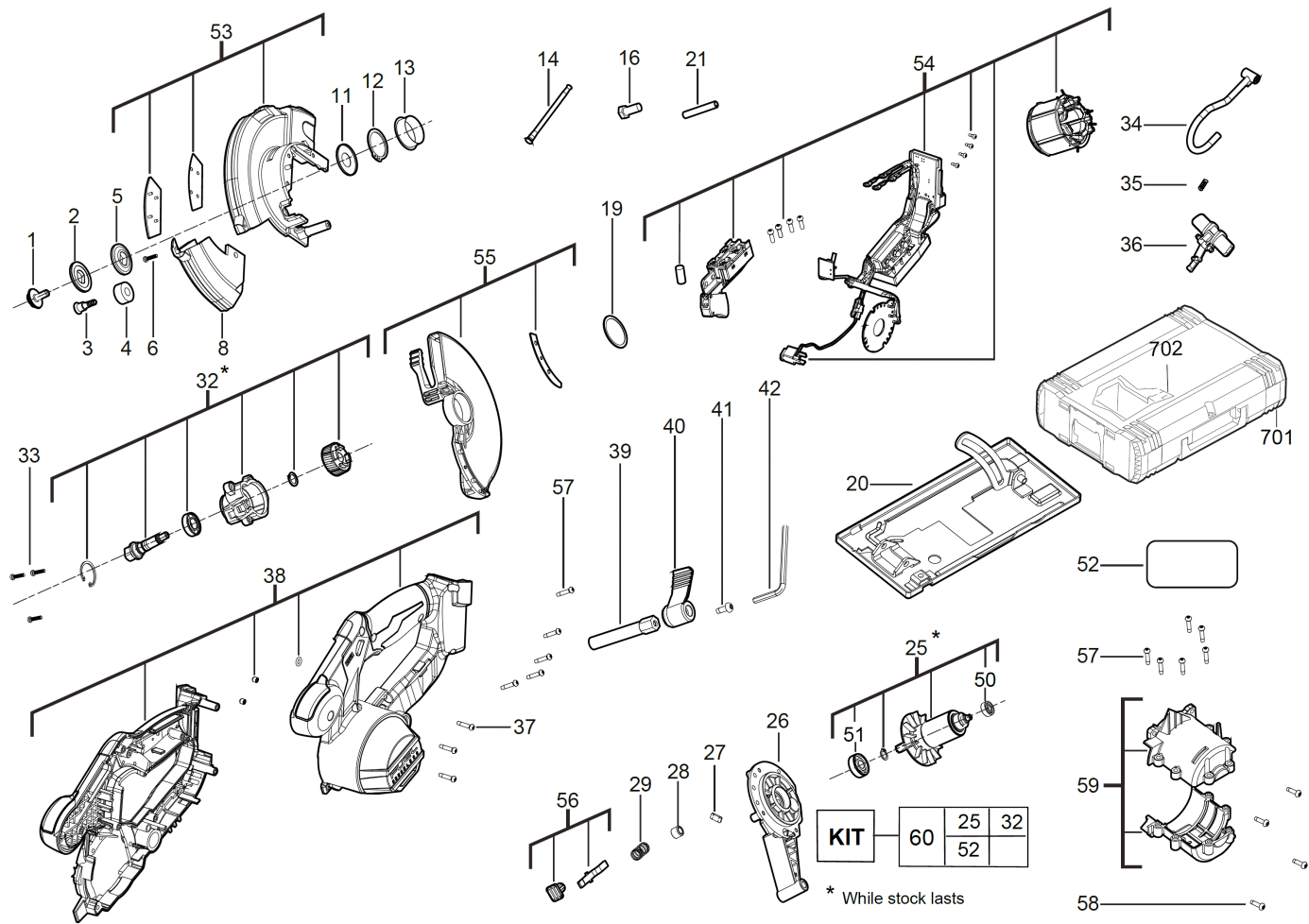


# M18FMCS-0X BTY. METAL SAW XXX

4933459192 - M18FMCS-0X - 4000458740



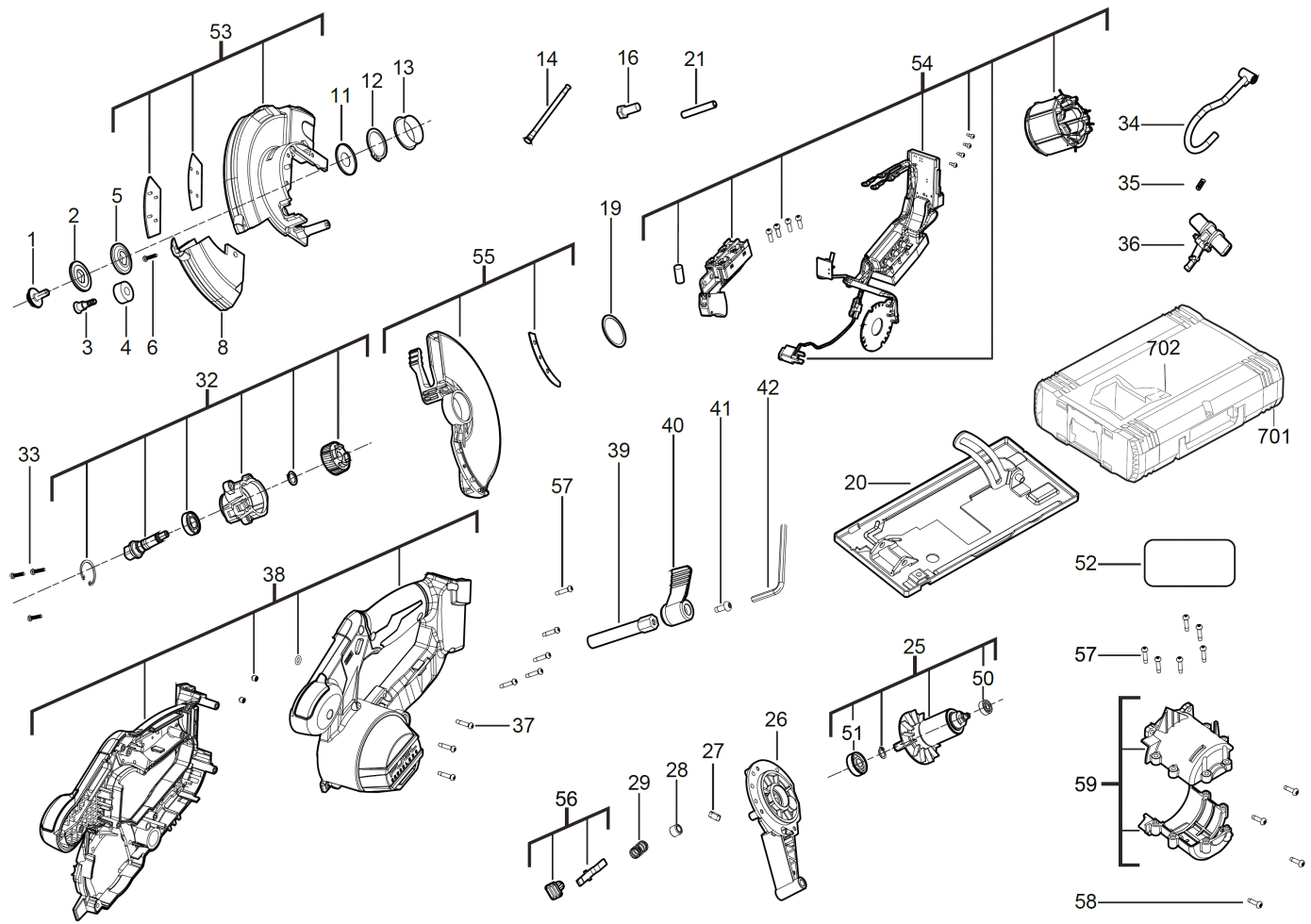


Position	Quantity	Description	Part number	EAN
0001	1	SCREW	5131000000	
0002	1	FLANGE	611280001	4002395848584
0003	1	SCREW	661354001	4002395848652
0004	1	RUBBER BUFFER	4931465876	4058546239763
0005	1	FLANGE	611281001	4002395848591
0006	1	SCREW	661414002	4002395848669
0008	1	GUARD CAP	4931461114	4058546032869
0011	1	WASHER	633585001	4002395848607
0012	1	RETAINING RING	4931461115	4058546032876
0013	1	WASHER	4931461116	4058546032883
0014	1	SPRING	692687001	4002395849109
0016	1	SCREW	06755860	4058546068745
0019	1	WASHER	4931461117	4058546032890
0020	1	GLIDING SHOE	4931461118	4058546032906
0021	1	PIN	4931461119	4058546032913
0025	1	ARMATURE	5131000000	
0026	1	DIAPHRAGM	4931461121	4058546032937
0027	1	FELT	4931461122	4058546032944
0028	1	NEEDLE BEARING	4931461123	4058546032951
0029	1	SPRING	4931461124	4058546032968
0032	1	GEAR SHAFT	5131000000	
0033	3	SCREW	4931461126	4058546032982
0034	1	HOOK	4931461127	4058546032999
0035	1	SPRING WASHER	672029001	4002395848683
0036	1	TRIGGER	4931461128	4058546033002
0037	4	SCREW	06827261	4058546068967
0038	1	HOUSING	4931461129	4058546033019
0039	1	GUIDE SHAFT	4931461130	4058546033026
0040	1	TENSION LEVER	4931461131	4058546033033
0041	1	SCREW TORX SCREW	06825314	4002395851935
0042	1	KEY	4931436125	4002395878734
0050	1	BALL BEARING	4931461132	4058546033040
0051	1	BALL BEARING	4931461133	4058546033057
0052	1	RATING PLATE	4931461134	4058546033064
0053	1	GUARD CAP	4931461135	4058546033071
0054	1	SWITCH ASSEMBLY	4931461136	4058546033088
0055	1	SAW BLADE PROTECT.	4931461137	4058546033095
0056	1	TRIGGER	4931461138	4058546033101
0057	9	SCREW	660031017	4002395825189
0058	4	SCREW	06825285	4058546068844
0059	1	MOTOR HOUSING	4931461139	4058546033118
0060	1	GEAR CASE / ROTOR ASSY	4931466480	4058546276973
0701	1	HD Box 3 - 1pc	4932453386	4002395143634
0702	1	INSERT	5131000000	

# M18FMCS-0X BTY. METAL SAW XXX

4933459192 - M18FMCS-0X - 4000469613





Position	Quantity	Description	Part number	EAN
0001	1	SCREW	5131000000	
0002	1	FLANGE	611280001	4002395848584
0003	1	SCREW	661354001	4002395848652
0004	1	RUBBER BUFFER	4931465876	4058546239763
0005	1	FLANGE	611281001	4002395848591
0006	1	SCREW	661414002	4002395848669
0008	1	GUARD CAP	4931461114	4058546032869
0011	1	WASHER	633585001	4002395848607
0012	1	RETAINING RING	4931461115	4058546032876
0013	1	WASHER	4931461116	4058546032883
0014	1	SPRING	692687001	4002395849109
0016	1	SCREW	06755860	4058546068745
0019	1	WASHER	4931461117	4058546032890
0020	1	GLIDING SHOE	4931461118	4058546032906
0021	1	PIN	4931461119	4058546032913
0025	1	ARMATURE	4931466460	4058546276775
0026	1	DIAPHRAGM	4931461121	4058546032937
0027	1	FELT	4931461122	4058546032944
0028	1	NEEDLE BEARING	4931461123	4058546032951
0029	1	SPRING	4931461124	4058546032968
0032	1	GEAR ASSY	4931466461	4058546276782
0033	3	SCREW	4931461126	4058546032982
0034	1	HOOK	4931461127	4058546032999
0035	1	SPRING WASHER	672029001	4002395848683
0036	1	TRIGGER	4931461128	4058546033002
0037	4	SCREW	06827261	4058546068967
0038	1	HOUSING	4931461129	4058546033019
0039	1	GUIDE SHAFT	4931461130	4058546033026
0040	1	TENSION LEVER	4931461131	4058546033033
0041	1	SCREW TORX SCREW	06825314	4002395851935
0042	1	KEY	4931436125	4002395878734
0050	1	BALL BEARING	4931461132	4058546033040
0051	1	BALL BEARING	4931461133	4058546033057
0052	1	RATING PLATE	4931466462	4058546276799
0053	1	GUARD CAP	4931461135	4058546033071
0054	1	SWITCH ASSEMBLY	4931461136	4058546033088
0055	1	SAW BLADE PROTECT.	4931461137	4058546033095
0056	1	TRIGGER	4931461138	4058546033101
0057	9	SCREW	660031017	4002395825189
0058	4	SCREW	06825285	4058546068844
0059	1	MOTOR HOUSING	4931461139	4058546033118
0701	1	HD Box 3 - 1pc	4932453386	4002395143634
0702	1	INSERT	5131000000	